



Bianco



Yunus İplik / Turkey

SARTEKS®
M | A | K | İ | N | A

Headquarters:
Hacı Sabancı Organize San. Bölgesi
Celal Bayar Bul. No: 37
Sarıçam - Adana / Turkey 01350
Tel : +90 322 332 70 50
Fax : +90 322 332 73 78

Istanbul Office:
İstanbul Cad. Tan Sk. Kemer
Corner Sitesi İnci Blok. No: 26
Göktürk - İstanbul-Turkey 34077
Tel : +90 212 325 87 00
Fax : +90 212 324 90 91

www.sarteks.com.tr

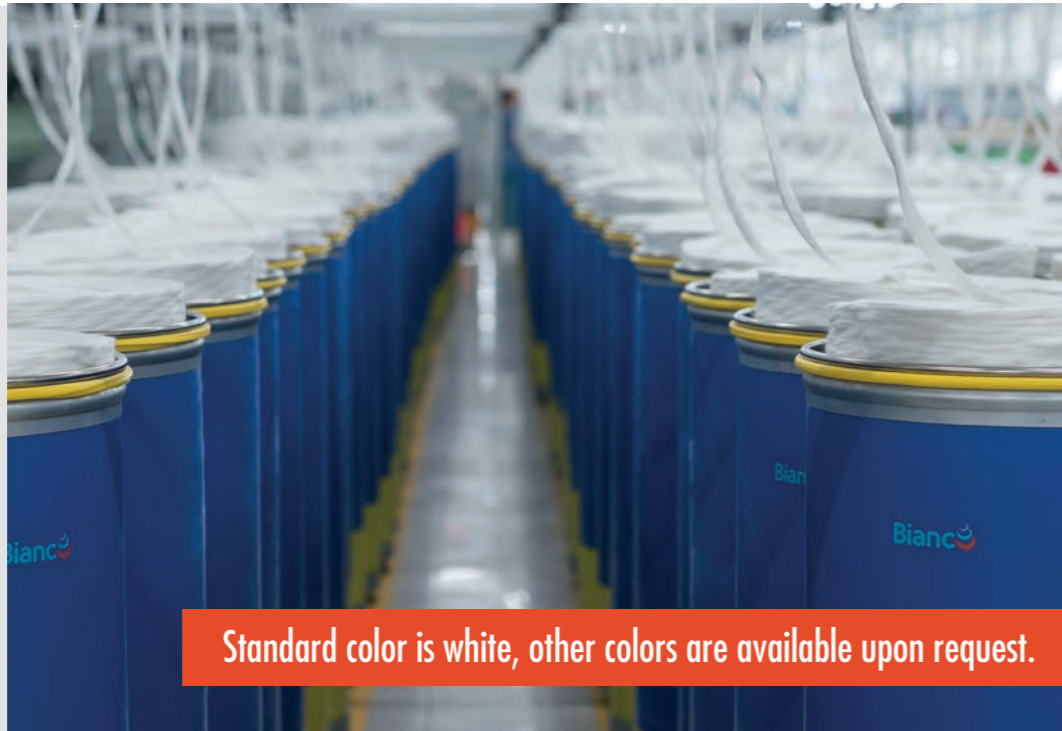


Bianco

**High Quality Spinnings Cans for
Highest Quality Slivers**

BODY

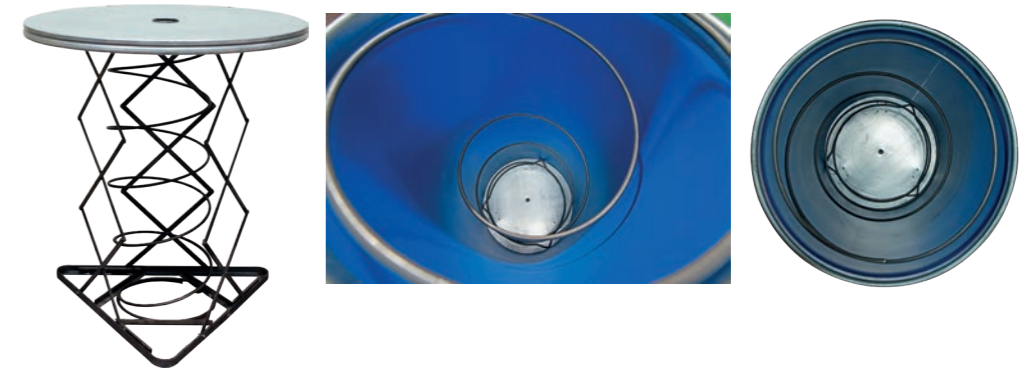
High Density Polyethylene Body



Standard color is white, other colors are available upon request.

SPRING SYSTEMS

High Quality Heat Treated Springs



- 1 Standard Pantograph Spring System for cans larger than 800mm in diameter
- 2 No pretension is required due to wide diameter and precise tension of the springs
- 3 Pretension is available upon request (not recommended for OE systems)

Anti-rust treated springs with maximum possible spring diameter to ensure stability and durability of springs



Top rings and rims can be in stainless or galvanized steel



Available can and kicking band colors



Color bands for top of the can

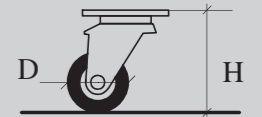
CASTORS

Castor Types



Cans with castors		
	D mm	H mm
BIANCO RED	83	110
BIANCO BLACK	53	84

Our castors are Bianco Castors with single or double ball bearings.



They are specially designed by Bianco after decades of experience and expertise in spinning can production.

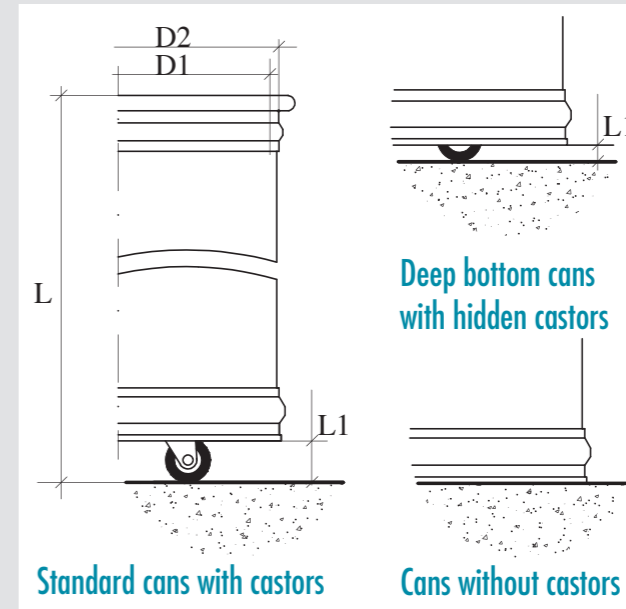
COVERS

Injection Molded HDPE White Cover Plates



Only white color guarantees that the raw material used is virgin.

TECHNICAL SPECIFICATIONS



Standard cans with castors

Cans without castors

Cans with castors for Ring systems			
Diameter mm	D1 mm	D2 mm	L1 mm
500	500	525	40
600	600	625	40
1000	1000	1030	70
1200	1200	1230	70

Cans with hidden castors			
Diameter mm	D1 mm	D2 mm	L1 mm
500	500	525	25
600	600	625	25

Cans with / without castors		
Diameter mm	D1 mm	D2 mm
400	400	420
450	440	455
470	460	475

The total length "L" is available in all dimensions up to 1500mm

